

HEM - Photovoltaic

Datasheet for HEM 220/225/230/235/240/245 mono

Physical Specifications for version 24V

Cells per module: 60
 Cell type: Mono crystalline
 Cell dimensions: 156 x 156 mm²
 Weight: 22 kg

Module produced according to guidelines for international certification UL 1703, IEC 61215, Safety class II and EN 61701

Rated power and maximum tolerance
 220 - 245 : +- 3%

Connecting socket: IP 65
 Plug: type 4

Maximum system voltage 1000V

25 years production 80% guarantee

3 years product guarantee.

Characteristics for the characterisation of the thermal behaviour

NOCT: 46°C * I_{sc} 0,036 %/K * V_{oc}: -0,33 %/K

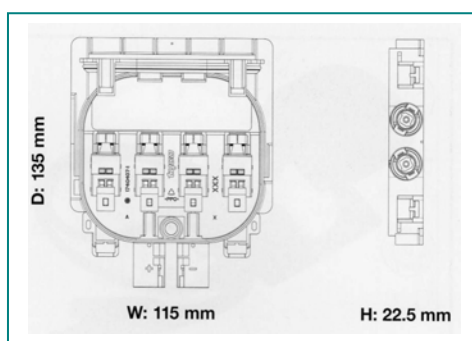
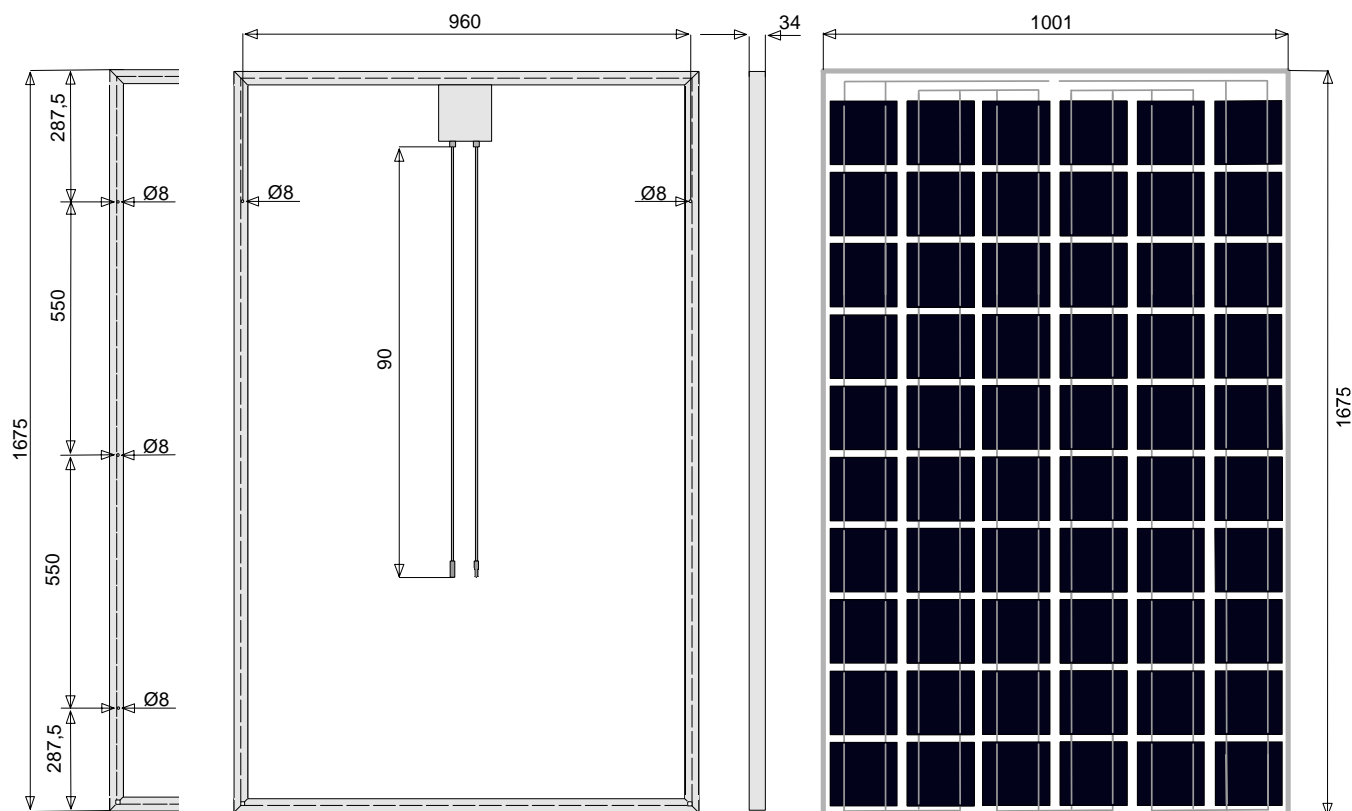
Module size: 1675 x 1001 x 34 mm

Junction box with cables and waterproof connectors, model Tyco. Cables length cm 90.

With 3 bypass diode.

Power specification for version 24V - Performance under standard test conditions (STC)

		H220	H225	H230	H235	H240	H245
Maximum power	P _{max}	220 W _p	225 W _p	230 W _p	235 W _p	240 W _p	245 W _p
Open circuit voltage	V _{oc}	36.6 V	36.8 V	36.9 V	37.0 V	37.1 V	37.3 V
Maximum power point voltage	V _{mpp}	29.3 V	29.5 V	29.6 V	29.8 V	30.0 V	30.1 V
Short circuit current	I _{sc}	8.18 A	8.30 A	8.42 A	8.54 A	8.66 A	8.78 A
Maximum power point current	I _{mpp}	7.51 A	7.64 A	7.76 A	7.89 A	8.02 A	8.14 A



High Quality Crystalline solar modules produced in Scandinavian

HEM Photovoltaic offers a high quality series of modules produced in Scandinavian. The unique, fully automated production process ensures the highest level of precision and consistently high production quality. The machine finishing produces a highly homogeneous design.

The Poly 6" cells lie behind a 3 mm hardened-glass glazing and are embedded in transparent EVA (ethylene-vinyl-acetate). The back of the module is sealed with a very high quality Tedlar film. The module stability is the result of the deep inset of the glass in the frame and its continuous bond between the two.

The flat and compact connecting socket is mounted on the back of the module. The connecting socket has no hollow cavities, is watertight, resistant to UV radiation and microbes, as well as very temperature resistant. This flat and compact top-quality product represents the ideal solution for every application

3 Years Limited PV Modules Warranty

HEM warrants the PV Module(s) to be free from the defects and/or failures specified below for a period not exceeding three (3) year from the date of sale to the original customer - ("Customer"):



- 1) defects and/or failures due to manufacturing;
- 2) defects and/or failures due to materials;
- 3) cracking of the front glass surface due to foreign objects inside the glass;

Note: This limited warranty shall exclude cracking of the front glass surface due to external shock from flying objects or external stress or transportation damages.

4) Non-conformity to specifications due to faulty manufacturing and/or inspection processes. If the PV Module(s) fails to conform to this warranty, HEM will repair or replace the PV Module.

Limited Power Output Warranty of 10/25 years (90%/ 80%)

HEM Photovoltaic warrants:

- within the first 10 years from the date of sale to the Customer, the PV Module(s) exhibits a power output of less than 90% of the original minimum rated power specified at the time of sale (Power peak minus the power tolerance %);

- within 25 years from the date of sale to the Customer, the PV Module(s) exhibits a power output of less than 80% of the original minimum rated power specified at the time of sale.

*The power output values shall be those measured under HEM standard measurement conditions as follows:

- Light spectrum of AM 1.5; - irradiation of 1,000w per m²; - cell temperature of 25 degrees Centigrade.

HEM PV - Danish Solar Energy Ltd.

Glückstadsvej 2 Fax: +45 3943 7768

Demark-2100 Copenhagen Phone: +45 3943 7767

Denmark

info@dansksolenergi.dk , com - Homepage: www.dansksolenergi.dk

HEM photovoltaic is owned by Danish Solar Energy Ltd. We have been in the photovoltaic modules production since 1993 and are considered as one of the pioneers. All our high quality modules are produced in Scandinavian and they always comes with optimal performance.